

SD*-D, SD*-S Up to 690V / 160 - 1250A sizes 000 to 4



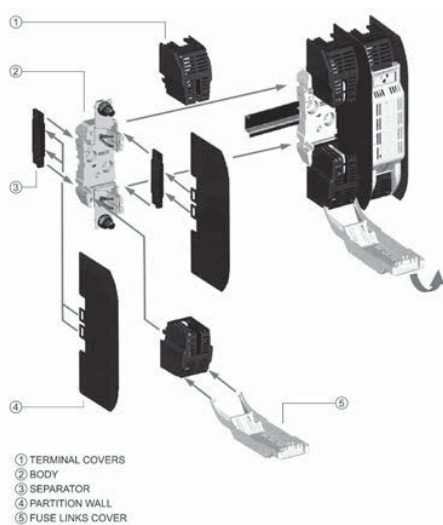
Description: NH fuse bases with thermoplastic bodies. DIN-Rail and screw mounting (size 4 screw fix). Range of protection accessories for live parts in order to obtain IP20 protection standard.

Ratings:

- Volts: up to 690Vac
- Amps: up to 1250A

Applications: Protection of industrial circuits and electrical apparatus

Standards and approvals: IEC 60269, DIN 43620



Shroud kits

Catalog numbers	Kit description
TD00-IP20	Ffor TD00-D fuse base
TD1-IP20	For TD1-D fuse base
TD2-IP20	For TD2-D fuse base
TD3-IP20	For TD3-D fuse base
SD12-SK	For SD1 and SD2 fuse bases
SD3-SK	For SD3 fuse base

Data Sheet 720136

Catalog numbers

Size	Poles	Current (amps)	Catalog numbers	Carton quantity	Compatible fuse size
			DIN screw		
00	1	160A	SD00-D	3	000 and 00
	3		TD00-D	1	
1	1	250A	SD1-D	3	01 and 1
	3		TD1-D	1	
2	1	400A	SD2-D	3	02 and 2
	3		TD2-D	1	
3	1	630A	SD3-D	3	03 and 3
	3		TD3-D	1	
4	1	1250A	SD4-S (Screw connection only)	3	4

Neutral

NH size	Amps	Catalog number	Carton quantity
1	250	SDL-1	3
2	400	SDL-2	3
3	630	SDL-3	3



Fuse extraction handle

Size	Catalog number	Carton quantity
C00-3	FEH	1



Protection accessories

NH Size	Current (amps)	Terminal cover ①		Separator ③	
		Catalog number	Carton quantity	Catalog number	Carton quantity
00*	160A	CS00*	6	BC00*	2
0	160A	CS0	6	BC0	2
1	250A	CS1	6	BC1-2	2
2	400A	CS2	6	BC1-2	2
3	630A	CS3	6	BC3	2

* For single pole only

Phase barrier kits

Catalog number	For fuse base
SD12-PB	SD1 and SD2
SD3-PB	SD3

Kits include 2 phase barriers and 2 ganging links.